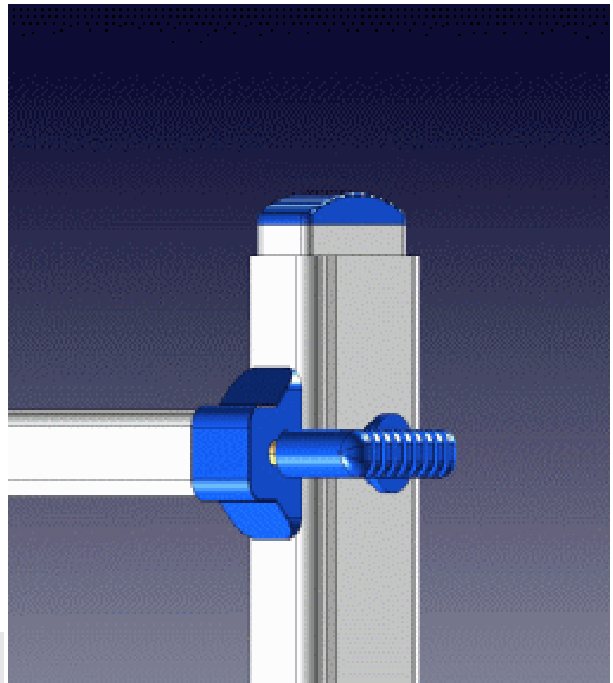


Leveler
For SKYLAX Telescoping Ladders

Spring loaded handle for quick height arrest

*Made of Nylon and galvanized steel
KIT with rung-cap + integrated rivet for
Easy manual in field substitution*

69 x 165 mm / 2.717 x 6.496 in
0.15 kg / 0.3307 lb
Color: Blue



Made in Italy - Design, engineering, manufacturing and packaging done exclusively on Italian territory

Buy now

<http://www.skylax.com/public/catalog/index.php?cPath=29&language=en>